

AUDITOR RSE-165

Woofer (6^{1/2}"

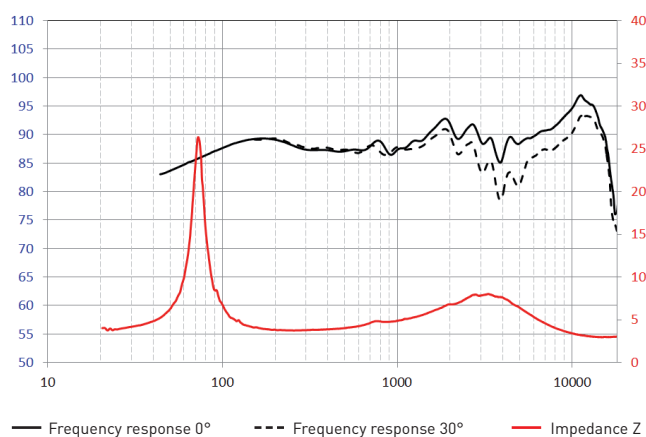


- Polypropylene cone
- Steel basket

SPECIFICATIONS

Nominal power	60W RMS	
Maximum power	120W	
Sensitivity (2,83V/1m)	91.5dB	
Frequency response	60Hz-21kHz	
Cone type	Polypropylene	
Surround type	Butyl	
Nom. impedance	4Ω	
DC resistance	3.3Ω	
VC diameter	25mm	1"
Net weight	850g	1.87lbs

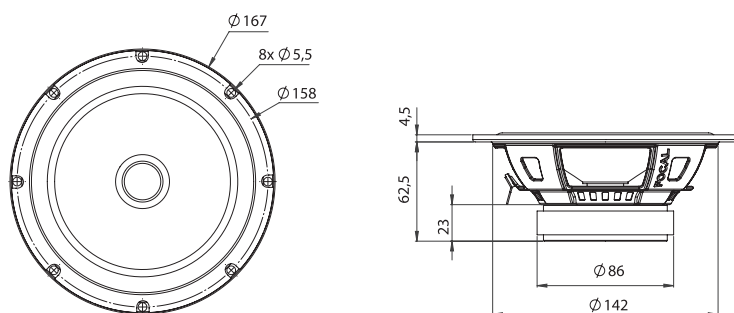
FREQUENCY RESPONSE/IMPEDANCE



PARAMETERS

Fs	71Hz
Vas	9l
Qts	0.9
Qes	1.1
Qms	8
Re	3.3Ω
Sd	132cm ²
Cms	0.36mm/N
Mms	13.8g
BI	4.3 N/A

MECHANICAL DRAWING



Performance
CREATE YOUR SOUND

FOCAL